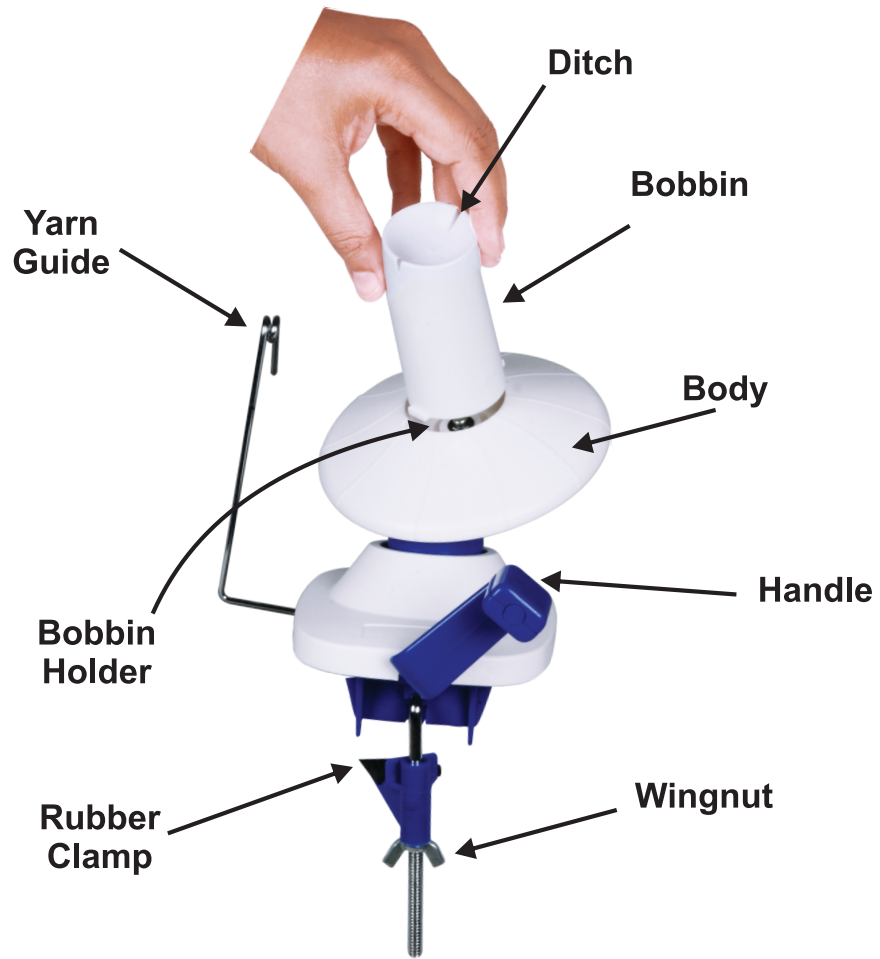
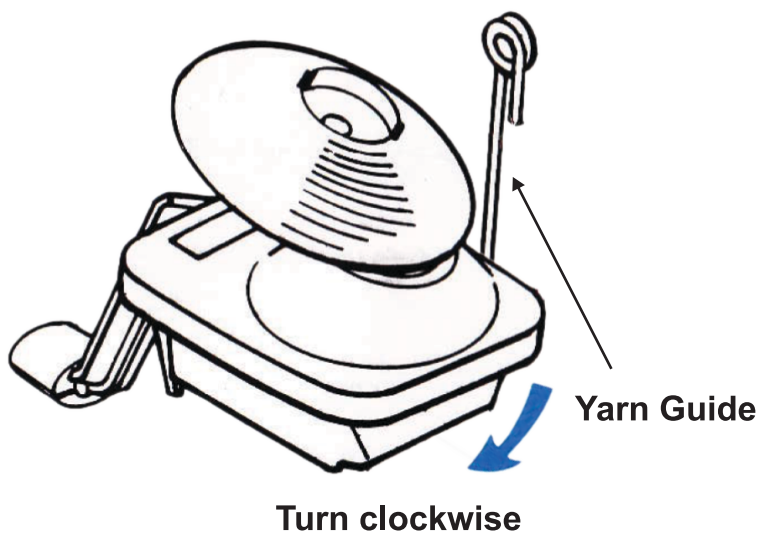


# HOW TO USE THE BALL WINDER



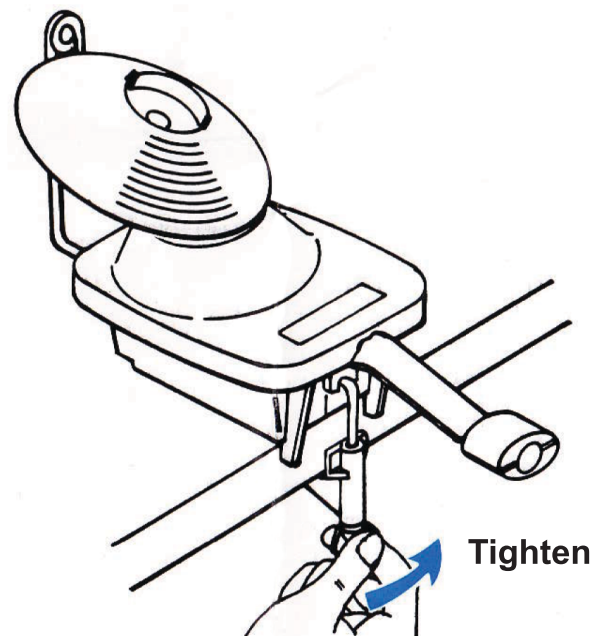
## 1. SETTING UP YARN GUIDE

- a) Move the yarn guide in clockwise direction until it stop



## 2. SETTING WINDER ON TABLE

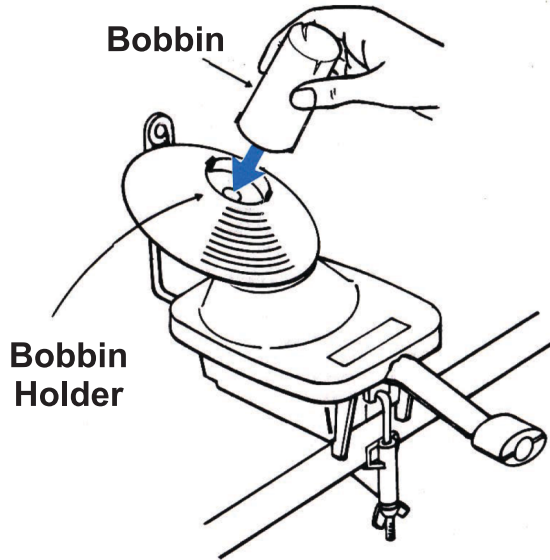
- a) Set winder on table as shown in picture, under laying plastic clamp with rubber at the edge of table
- b) Fasten the winder with the clamp using the wing nut



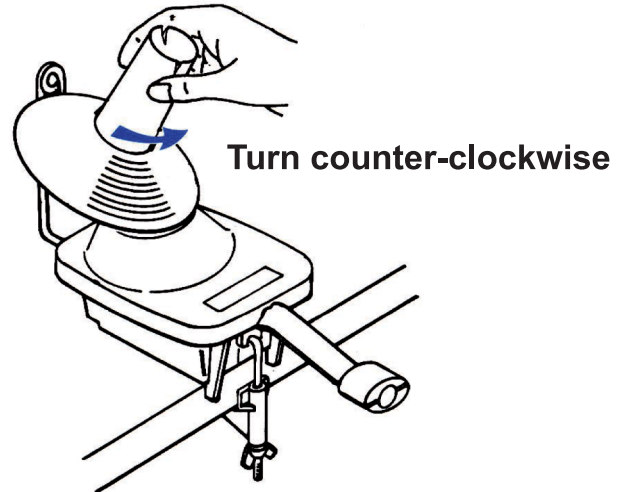
# HOW TO USE THE BALL WINDER

## 3. SETTING BOBBIN INTO BOBBIN HOLDER

a) Insert the bobbin into bobbin holder in right position (slots are provided to fit the bobbin) as far to fix as it goes

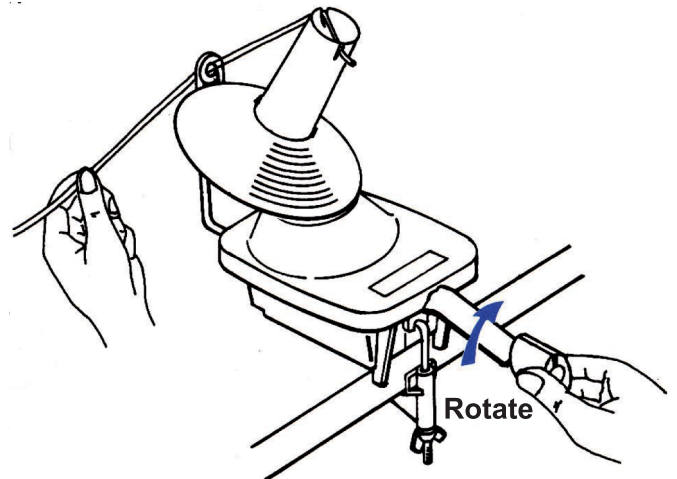


b) Move the bobbin in counter clockwise direction to fit into the bobbin holder



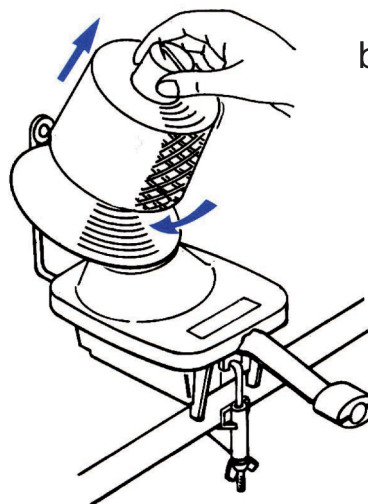
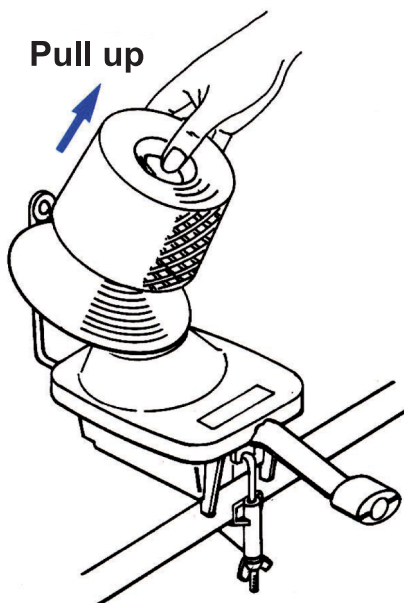
## 4. WINDING YARNS

- a) Thread yarn through yarn guide and put the end of yarns into the ditch at the top of bobbin
- b) Holding the yarn with left hand to give a slight tension to yarn; move the handle in clockwise direction



## 5. HOW TO USE WOUND BALLS

a) Take the yarn ball out of bobbin.



b) Yarn ball can be used either from the core of the ball or from the outer most side of the ball.

